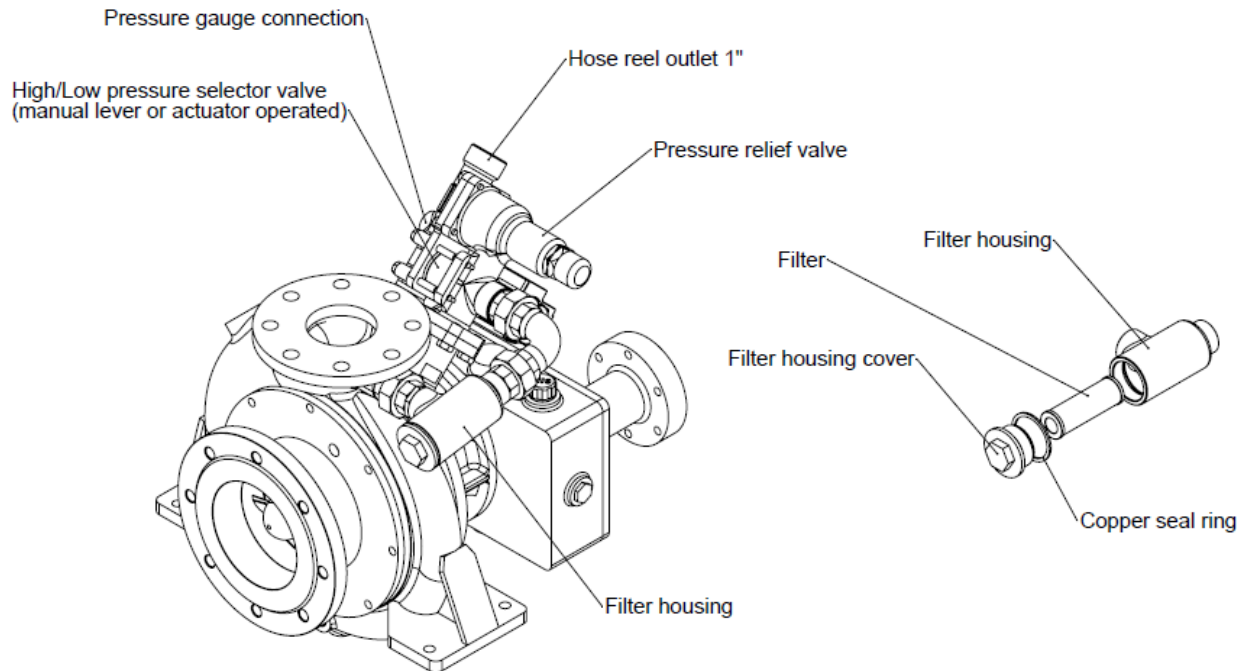


## Operation manual for ESTERI 300/25, type FPH 40-250

(Issue 2, 06.01.2021)



High/Low pressure valve open:

- Low pressure flow at the hose reel outlet
- In normal operation, lever should be left in this position

High/Low pressure valve closed:

- High pressure flow at the hose reel outlet



When high pressure is not required, selector valve should always be in open position, to minimize power demand. During high pressure operation, simultaneous low pressure operation is not recommended, due to significant increase of power demand. Pump operator must be careful not to overload engine PTO. Nominal power consumption (120kW) of the pump is defined for separate use for low/high pressure nominal delivery. For more info, contact Veikko Nummela Oy service.

Filter between pump casing and high pressure manifold prevents larger particles from entering to the high pressure manifold. The pressure relief valve is set @50bar. Relief valve releases overpressure from high pressure side to the low pressure side.

To ensure the functioning of the high pressure pump, filter of the high pressure side has to be cleansed from debris regularly. We recommend to check the filter after every operation, especially if natural water source has been used. That is the case even if the high pressure operation has not been used.

To remove the filter from the filter housing, open the hex bolt cover cap. Make sure that the copper seal ring comes with the cover.



**IMPORTANT**

If the filter gets blocked with debris, it will prevent water flow to the high pressure side of the pump. This can cause serious damage to the high pressure impeller and casing!

For gearbox lubrication oil we recommend to use Eni Rotra MP 85W-140, or a similar high quality gear oil.